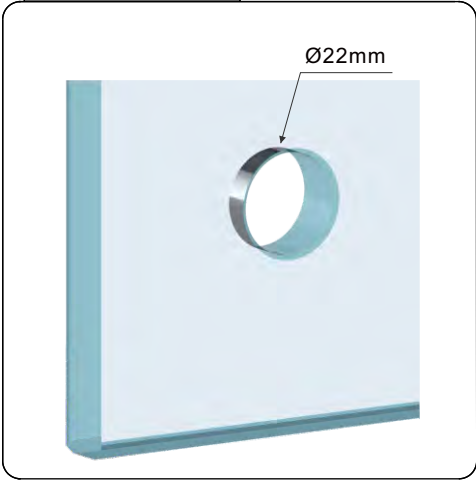


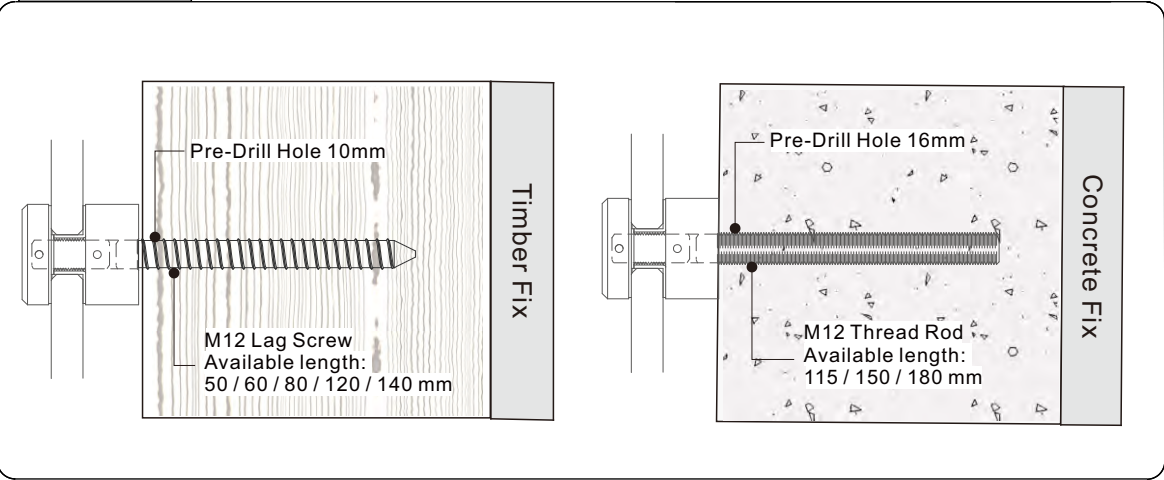
Drawing ID
SOF-38 Series

Diameter	Spacer	Available Finished				
		Polish S.S	Satin S.S	Texture Black	White	Bruss Brass
Ø38	5mm	●	●	●	●	●
Ø38	10mm	●	●	●	●	●
Ø38	20mm	●	●	●	●	●
Ø38	25mm	●	●	●	-	-
Ø38	30mm	●	●	●	●	●
Ø38	40mm	●	●	●	-	-
Ø38	50mm	●	●	●	-	-
Ø38	Adjustable	●	●	●	-	-

Glass Preparation



Instructions



MATERIAL:
316L Stainless Steel

CATALOGUE AND DESCRIPTION:
 > Glass Fixing Systems
 > Standoff Series
 > Ø 38mm Range

NOTES:
 This drawing and or specification is the property of Silver Stone Hardware Pty Ltd - and must be returned to them on request. Unauthorised use may result in Legal Action. Its contents must not be made public, nor copied, nor used directly or indirectly in any way.

SILVER STONE HARDWARE PTYLID
 56-62 Bryant Street, Padstow, NSW 2211
 T: (02) 9792 2955 M: 0452 526 680
 www.silverstonehardware.com.au
 sales@silverstonehardware.com.au